

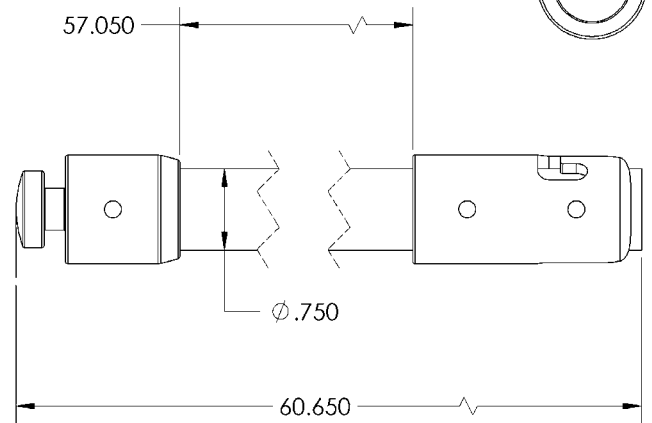
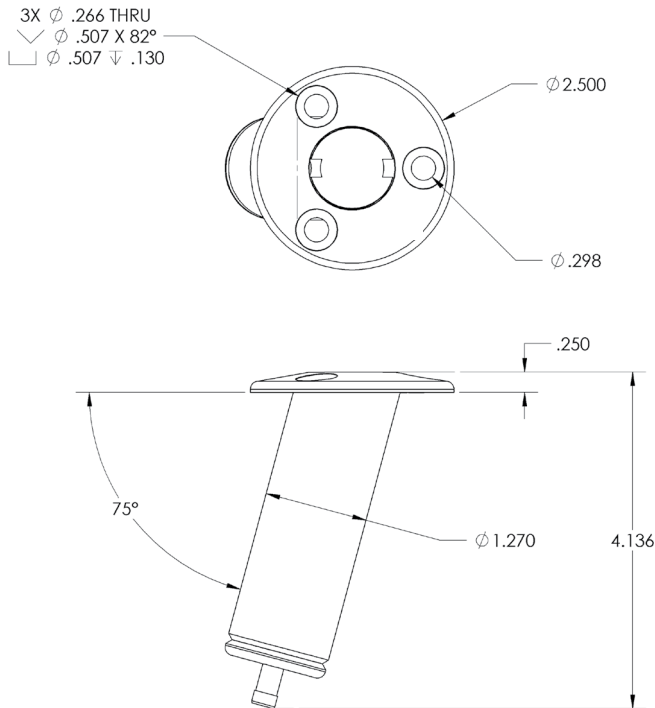
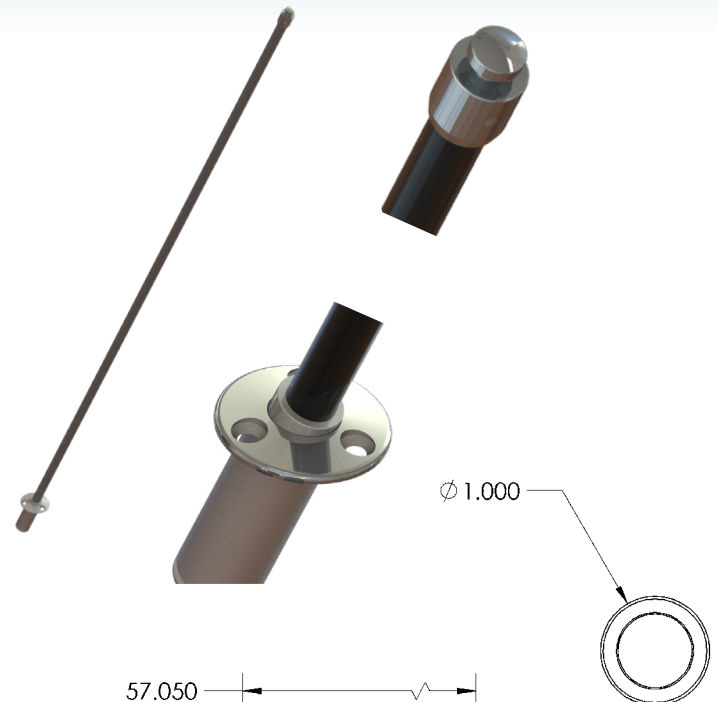


J-LOCK SUNSHADE SYSTEM

Introducing the J-Lock Sun-Shade System – a lightweight, secure, and robust shade package designed to seamlessly integrate with your boat’s gunnel for fast, reliable shade. Featuring a Twist & Lock plunger design, the lightweight fiberglass shade pole easily inserts into the Type-316L base, then twists and locks the pole in place for a safe and secure connection. The pole base features a Type-316L polished stainless steel J-Lock that remains locked when setup. To remove the pole, simply push down, untwist and remove it from the base. Once removed, the plunger cap returns to its flush position for an elegant integration in the gunnel. At the top of the fiberglass pole, a Type-316L stainless-steel fitting, allows for an easy D-ring attachment from your custom fabric to the top of the pole. Available now to OEM.

FEATURES & BENEFITS

- ▶ Type-316L stainless-steel hardware and base with a polished finish
- ▶ Twist & Lock technology
- ▶ Toolless J-Lock security system
- ▶ Retractable flush-mount plunger
- ▶ Lightweight black fiberglass pole
- ▶ Fiberglass pole is 60.6” tall



PART #	DESCRIPTION	UOM
F16-3475	SS Twist Lock Base	Each
T10-7760	Fiberglass Poles, 7/8" x 60.5"	Each